

KOLDLOK®

KoldLok® Wave® Raised Floor Grommet

Part Numbers

Wave - 20100

Cover - 20101



Wave Raised Floor Grommet
Part No. 20100



Wave Grommet Cover
Part No. 20101

Applications

Designed to seal openings in raised floor cutouts prior to the installation of communications, power, or other cabling.

In a study done by Upsite Technologies on 19 computer rooms totaling over 204,400 ft², it was found that 60% of valuable cooled air is not reaching the air intakes of IT equipment. The KoldLok Wave was developed to provide the best seal against this wasted bypass airflow.

Features

- Sealing Effectiveness - New, wave shaped thermoplastic elastomer offers the best sealing against bypass airflow, unsurpassed by any brush grommet on the market
- Usable Cable Area - Over 45.5 sq inches of usable cable area, over two and a half times that of a leading brush competitor
- Maintenance Free - Wave shaped material seals around cables with no additional maintenance or monitoring required
- Configuration - Split design allows edge-cut tiles to be removed without capturing cables
- Longevity - Durable, impact-resistant ABS frame

Benefits

- Increases cooling unit effectiveness
- Allows for greater IT density in data centers
- Improves static pressure under the raised floor
- Improves cool air delivery through perforated tiles and grates
- Decreases humidity control expense
- Meets a prerequisite for hot aisle/cold aisle best practices and containment strategies
- Reduces the need to buy additional cooling units

Safety Features

- The thermoplastic elastomer material is rated UL94 HB
- An optional safety cover is available to ensure greater safety before rack and cable installation

Specifications

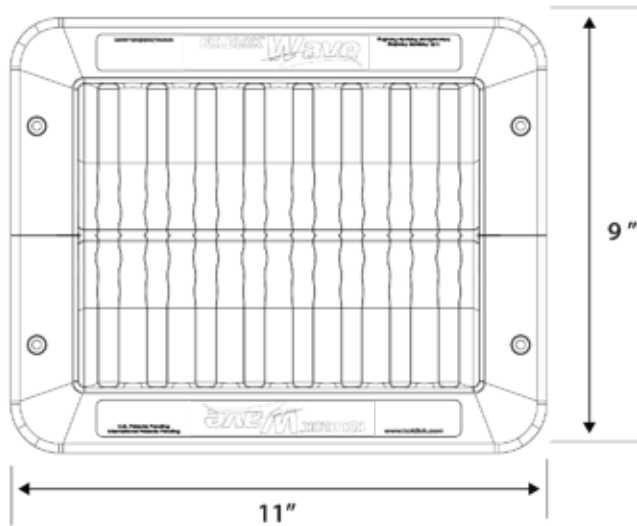
Dimensions and Tile Cutting Requirements	Inches (W x D x H)	Millimeters (W x D x H)
Part No. 20100 - Overall size	11" x 9" x 1 7/8"	279 x 229 x 48mm
Product height above the raised floor	3/8"	10mm
Usable cable area	7" x 5 7/8"	197 x 149mm
Minimum cut required to install Grommet in interior of the tile	9 1/4" x 6 3/4"	235 x 172mm

Patent Pending Sealing System

Utility and design patents registered and pending for both the U.S. and worldwide. The KoldLok Wave™ design uses thermoplastic elastomer to wrap around penetrants, creating a more effective seal.

Thermoplastic Elastomer (TPE)

- TPE material is overmolded to frame to create a flexible sealing membrane
- Tear Strength 100lbf/in (ASTM D624)
- Color: Black



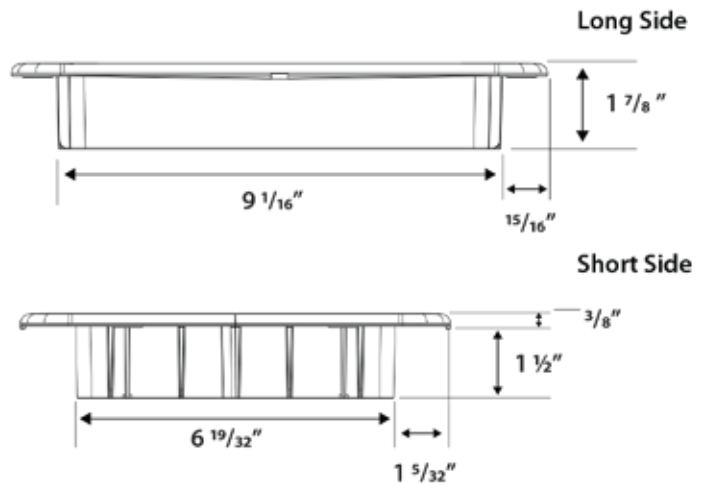
Floor Mounting System

Four (4) self-drilling screws are provided for installation.

Grommet Frame

The frame is molded from durable ABS.

Finish: Black



upsite
technologies®

Designer & Manufacturer
(888) 982-7800 www.upsite.com

MEX FLOOR

www.mexfloor.com
MEX TEKNOLOJİ ÇÖZÜMLERİ

+90 216 577 66 39

+90 216 577 66 39

info@mexfloor.com

Finanskent Mah. Finans Cad.
Sarphan Finans Merkezi No:5 C
İç Kapı No:122 Ümraniye / İstanbul